

VALTRA GENERATORS, POWER WHEN YOU NEED IT.

VALTRA



**YOUR
WORKING
MACHINE**

THE ONLY TRACTOR MANUFACTURER IN THE NORDIC REGION.

Valtra is a name for quality products. Years of hard work on the fields, farms and forests and innovative R&D have made Valtra tractors robust and agile. We have faced both rain and sunshine, extreme heat and arctic cold at our home base in Finland and around the world. Our experiences don't just make us reliable – they make us entirely adaptable to the changing face of farming and contracting. Whether it's dairy or forestry or sugar cane and more, we identify the challenge and develop robust and reliable solutions to meet the need. At Valtra our mission is to develop products and provide services that make your daily work easier.

Every Valtra is built in the heart of Finland to fulfill the needs of an individual customer. We provide you with the tools and support you demand to operate your business, just the way you want them. Our tractors have won numerous international awards and we have very high standards for everything we do.



COOPERATION AND INSIGHT



AGCO Power and Valtra have walked a long road together. The companies have been a part of the same family since the founding of both companies in the 40's. The companies have both affected the development of the surrounding society and are a significant part of the Finnish industrial history.

The engine factory has operated in Linnavuori from 1942 and we've done our first Valmet tractors in 1951. First diesel generators were made in 1952. Owners and names have changed over

the decades. From VMT we became Valmet, then Sisu Diesel. From 2004 we've been part of the leading farming machinery manufacturer AGCO. As part of AGCO the AGCO Power engine factory builds tens of thousands of engines and transmissions for all major AGCO brands yearly to over 140 countries.

Our passion has always been to make great machinery for our loyal and demanding customers. And we aim to keep it that way.

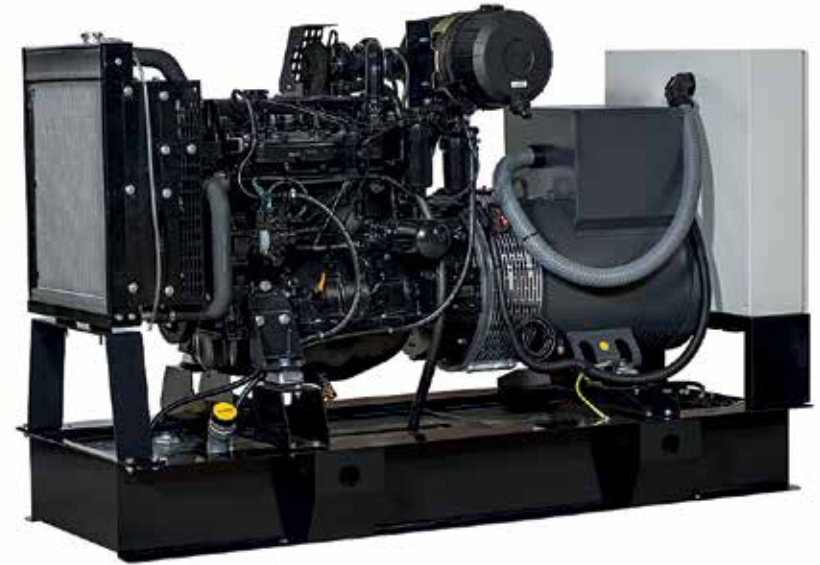


VALTRA GENERATOR, YOUR POWER UNIT:

Reliability is the keyword.

VG90

Power Prime (PRP) kVA / kW 90 / 72
Power Standby (LTP) kVA / kW 99 / 79



VG110

Power Prime (PRP) kVA / kW 110 / 88
Power Standby (LTP) kVA / kW 121 / 97

Need for power is constant. Critical systems have to be always online whether it is for safety of people or animals or for production process. Often the damages and loss of income start within minutes of losing power.

Valtra Generators are designed to offer reliable automatic operation for backup system and long lifetime in prime power use. Diesel generators are used for hotels, gas stations, hospitals, power plants, banks, ski resorts, municipal services, farms –especially with milking robots and poultry houses and many others. Valtra Generators utilize the full power range of AGCO POWER

engines from Linnavuori with six power ratings from 60 kVA to 250 kVA. Generating sets are available as open sets or with sound attenuated enclosures for outdoor installations. Outdoor units are ready for use with preinstalled exhaust piping and robust support structures. All units are designed for stationary use, but they are compact and easy to handle and to transport.

Our knowledge from long history with demanding customers, harsh Nordic conditions and the Finnish heart of the units make the Valtra Generators the best choice for you.

STRONG SELECTION FOR DEMANDING USE: VG-SERIES DIESEL GENERATORS

Model	VG60	VG90	VG110	VG150	VG205	VG250
Power Prime (PRP), kVA/kW	60/48	90/72	110/88	150/120	205/164	250/200
Power Standby (LTP), kVA/kW	66/53	99/79	121/97	165/132	225/180	275/220
Engine model (AGCO POWER)	33 DTG	49 DTG	49 DTAG	74 DTG	74 DTAG	84 WIG
Cylinder qty	3	4	4	6	6	6
Rev. Speed, rpm	1500					
Fuel tank volume in liters, O/E	200 / 200	200 / 300	200 / 300	200 / 300	200 / 300	200 / 350
Generator	ECP322M4B	ECP342S4A	ECP341L4A	ECP342L4A	ECO383S4A	ECO381L4A
Power factor, cos ϕ	0,8 ind.					
Electric system voltage	12 VDC					
Generator IP-rating	IP23					
Nominal voltage 50 Hz, V	400/230, 50 Hz					
Aggregate nominal current PRP, 3-phase, A	87	130	159	218	296	361
Electric system nominal current, A	125	160	250	250	400	400
Control system	ComAp IntelliNano / IntelliLite / IntelliGen					
Dimensions / Open models						
Length, mm	1830	1906	2294	2361	2500	2860
Width, mm	660	660	988	850	989	1098
Height, mm	1423	1474	1625	1694	1724	1781
Dry weight, kg	1000	1300	1400	1600	1700	2500
Dimensions / Sound attenuated enclosure models						
Length, mm	2300	2894	2894	2894	2894	4200
Width, mm	1106	1136	1136	1136	1136	1356
Height, mm	1748	2118	2118	2118	2118	2143
Dry weight, kg	1400	1800	1900	2100	2250	3070

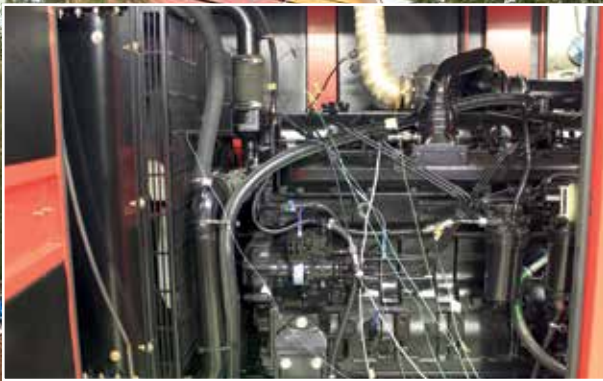
Prime Power – PRP (constant power for varying electrical loads for unlimited hours)

Constant power in accordance with the ISO standard. Applicable for supplying power to varying electrical loads for unlimited hours. Ten percent overload capability for one hour within a 12-hour period.

Limited Running Time Power – LTP (maximum power for limited hours)

ISO Fuel Stop Power. Applicable for supplying power to a constant electrical load for limited hours. No overload capability.

TESTED FOR YOU, BY US AND OUR CUSTOMERS THROUGH THE DECADES



Backup power has to work when it's needed. To ensure this Valtra Generators are built with quality components and solutions that have been tested and proven time and time again. You demand high quality, and so do we. We've seen the development in industry products and in our

customer demands over the decades. We know what is expected from us. Our products have been tested to fit the needs from cold Nordics to heat of Africa. Every engine is tested before it's installed and every unit will be tested for all functions and features before shipping to our customers.

Engines that the world relies on

AGCO POWER engines are built and designed for hard work and they have been tested daily in countless farming machinery such as the award winning Valtra tractors. Our engines have excellent response to load, easy service, worldwide spare parts availability and very long proven lifetime.

CONTROLS FOR EVERY NEED.

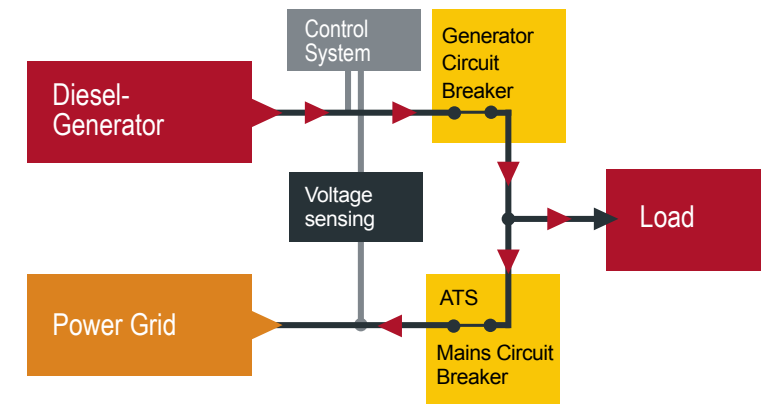
Suitable for multiple applications.



All of the Valtra Generator units have the same operational types and features available. Customers can choose from manual operation to fully automatic backup power system.

Manual units are for operator use especially for areas where there isn't main line. Diesel generator is often a lot cheaper than a new power line to a remote location. Automatic unit starts in seconds of outage and automatically shuts down once the power grid is back online.

For demanding sites the generator sets will be fitted with automatic operation with synchronization. With synchronization the unit can feed power in parallel with the main power supply. This allows seamless transfer to mains after outage, uninterrupted test runs and peak shaving if some loads go over your main fuse size.



STRONG SELECTION FOR DEMANDING USE: VG-SERIES DIESEL GENERATORS

VG 60

VG 90

VG 110

VG 150

VG 205

VG 250

VALTRA

VALTRA

Valtra Inc.
Valmetinkatu 2
FI-44200 Suolahti
Tel. +358 (0)2045 501
Fax +358 (0)2045 50608

www.valtra.com
www.facebook.com/ValtraGlobal
www.youtube.com/valtravideos

The equipment that appear in this brochure may be equipped with special options. Changes possible - all rights reserved.

**YOUR
WORKING
MACHINE**